

OT9201

INTELLIGENT CONFERENCE SYSTEM HOST



PRODUCT DESCRIPTION:

OT92 SERIES CONFERENCE SYSTEM INCLUDES CONFERENCE HOST AND EXTENDED HOST. IT INTEGRATES THE AUTOMATIC CAMERA TRACKING FUNCTION, 4.3" TFT TOUCH SCREEN, SIMPLY AND CLEAR GUI DISPLAY AS WELL AS OTHER ADVANCED MANAGEMENT AND CONTROL FUNCTIONS, WHICH WILL LEAD THE DESIGN TREND OF CONFERENCE SYSTEM EQUIPMENT. THE CONFERENCE HOST IS THE CORE EQUIPMENT OF THE CONFERENCE SYSTEM, WHICH CAN PROVIDE POWER SUPPLY TO ALL CONFERENCE UNITS AND IS WELL-EXTENSIBLE.

FEATURES:

- THE CONFERENCE HOST ALLOWS CONNECTION OF A MAXIMUM NUMBER OF 128 CONFERENCE UNITS AND WITH THE EXTENDED HOST, 1 CONFERENCE SYSTEM ALLOWS CONNECTION OF UP TO 4096 UNITS.
- CONNECTION THROUGH 8-CORE AVIATION PLUGS IN A SERIES MODE. LIMITATION ON NUMBER OF SPOKESMAN AT A SAME TIME (1/2/3/4/5/6). VOTE FUNCTION, TIMED SPEECH AND OTHER DATA MANAGEMENT FUNCTIONS.
- 4.3" TFT DISPLAY/TOUCH SCREEN: THE SYSTEM ADOPTS GRAPHIC INTERFACE AND ALL FUNCTIONS AND CONFIGURATION MESSAGES AS WELL AS BASIC INFORMATION OF THE UNITS ARE DISPLAYED CLEARLY, BESIDES IT HAS ARTISTIC AND MODERN APPEARANCE; OPERATION VIA TOUCH SCREEN MAKES HUMAN-MACHINE INTERACTION EASIER. USERS CAN ADJUST THE SYSTEM TIME AND BACK LIGHT DURATION, IN ORDER TO SAVE ENERGY. MESSAGES ON THE SYSTEM LCD SCREEN MAY BE IN CHINESE OR ENGLISH
- ENGLISH USERS CAN SET A NUMBER OF VIP SPEAKING UNITS, WHICH WHEN THE TOTAL NUMBER OF ACTIVATED UNITS IS LESS THAN THE LIMIT OF 20 (20 IN FREE MODE AND 10 IN OTHER MODES), CAN BE ACTIVATED AND IF FREE OF ANY LIMITATION OF CONFERENCE MODE. A MAXIMUM NUMBER OF 30 VIP UNITS ARE ALLOWED.

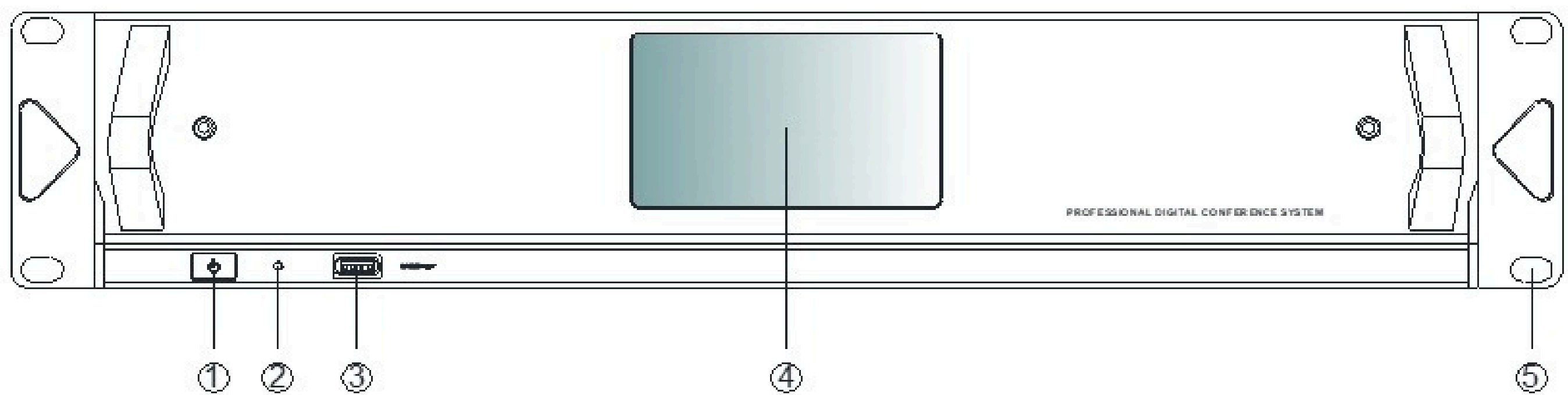
- THE SYSTEM SUPPORTS FIVE CONFERENCE MODES, NAMELY FIFO, NORMAL, VOICE, FREE AND APPLY.
- THE SYSTEM HAS EMBEDDED A DSP, INCLUDING LOW CUT, FREQUENCY SHIFTER AND EQUALIZER.
- THE SYSTEM CAN REALIZE RECORDING OF THE ENTIRE CONFERENCE AND PROVIDES TWO RECORDING MODES, NAMELY AUTOMATIC RECORDING AND MANUAL RECORDING, AND THE USER CAN CHOOSE THE DESIRED ONE.
- THE SYSTEM PROVIDES UNIT TESTING FUNCTION, WITH WHICH TESTING THE CONFERENCE UNITS MAY BE REALIZED AUTOMATICALLY OR MANUALLY.
- IT PROVIDES SPEECH TIMING AND COUNTDOWN FUNCTION. WITH THE SPEECH TIMING FUNCTION, THE USER CAN SET A TIME LIMIT FOR EACH SPEECH OR DEACTIVATE THIS FUNCTION.
- THE CONFERENCE SYSTEMS ALSO PROVIDE A CAMERA TRACKING SYSTEM AND 4 BNC CAMERA PORTS THROUGH WHICH THE SYSTEM CAN REALIZE AUTOMATIC CAMERA TRACKING FUNCTION.
- THE SYSTEM PROVIDES ONE RS232 SERIAL PORT, WITH WHICH THE SYSTEM CAN BE CONNECTED TO THE CENTRAL CONTROL SYSTEM SEAMLESSLY, IN ADDITION, IT ALSO PROVIDES ONE RS422 SERIAL PORT FOR CONNECTION OF CAMERA CONTROL CIRCUIT TO REALIZE CENTRALIZED CONTROL ON THE 6 CAMERAS.
- THE 8-CORE AVIATION SOCKET: ONE IS FOR CONNECTION OF INTERPRETER HOST, ANOTHER FOR CONNECTION TO EXTENDED HOST AND THREE FOR CONFERENCE UNITS.
- RCA SOCKETS: TWO SECONDARY AUDIO INPUT PORTS, FOR CONNECTION TO AUDIO PLAYERS, ETC.; TWO SECONDARY AUDIO OUTPUT PORTS, FOR CONNECTION TO SPECIALIZED AMPLIFIERS; TWO WARNING AUDIO SIGNAL INPUT PORTS FOR CONNECTION TO WARNING AUDIO SIGNALS IN THE FIRE CONTROL CENTER.
- CANNON SOCKET: IT IS A SECONDARY AUDIO OUTPUT PORT AND IS USED TO REALIZE PARALLEL OUTPUT TOGETHER WITH TWO SECONDARY AUDIO OUTPUT RCA SOCKETS (LINE OUT) AND FOR CONNECTION TO SPECIALIZED AMPLIFIERS.
- THE SYSTEM ALSO PROVIDES A +5V TRIGGER VOLTAGE WARNING INPUT PORT, WHICH, TOGETHER WITH THE WARNING AUDIO INPUT PORT, IS USED TO REALIZE WARNING BREAKING IN FUNCTION.
- THE SYSTEM PROVIDES RJ45 PORTS UNDER TCP/IP PROTOCOL, WHICH IS USED FOR CONNECTION TO THE NETWORK WHERE A PC APPLICATION PROGRAM WILL BE USED TO CONTROL ALL FUNCTIONS OF THE SYSTEM.
- THE EQUIPMENT CASING IS MADE FROM METAL MATERIALS AND ALL THE LINES AND CASING ARE PROPERLY GROUNDED, SO THE SYSTEM HAS AN ANTI-STATIC OF 10KV IN CASE OF PHYSICAL CONTACT AND 15KV IN CASE OF AIR CONTACT.
- THE SYSTEM ADOPTS HIGH-GRADE APPEARANCE DESIGN, 2U STANDARD CHASSIS, AND CAN BE INSTALLED IN A 19-INCH STANDARD CABINET.

SPECIFICATIONS:

Model	OT9201
LINE Input Voltage	250 (±30) mV
ALARM Input Voltage	250 (±30) mV
LINE Output Voltage	1 (±0.1) V
BALANCE Output Voltage	1 (±0.1) V
Frequency Response	20Hz-20kHz (±3dB)
SNR	>80 dB
Harmonic Distortion	<0.3%
Output Power	≤110W/3-way, 24V
Max. Power	320W
Static Power Consumption	15W
Quantity of Maximum Units	128 ps
Control Interface	RJ45, RS232, RS422
Power Supply	AC220V~50Hz/320W
Package Dimensions(L×W×H)	525×480×185mm
Equipment Dimensions(L×W×H)	484×385×88 mm
Gross Weight	7.5kg
Net Weight	6.9kg

FRONT / REAR PANEL:

FRONT PANEL



FUNCTIONS ON FRONT PANEL OF THE HOST:

1. POWER SWITCH (POWER)

POWER IS ON WHEN THE BUTTON IS PUSHED DOWN AND IS OFF WHEN THE BUTTON IS EJECTED.

2. POWER INDICATING LIGHT (ON)

THE INDICATING LIGHT WILL BE ON, WHEN THE SYSTEM IS POWERED ON, AND IT IS OFF WHEN THE SYSTEM IS POWERED OFF.

3. USB PORT (USB)

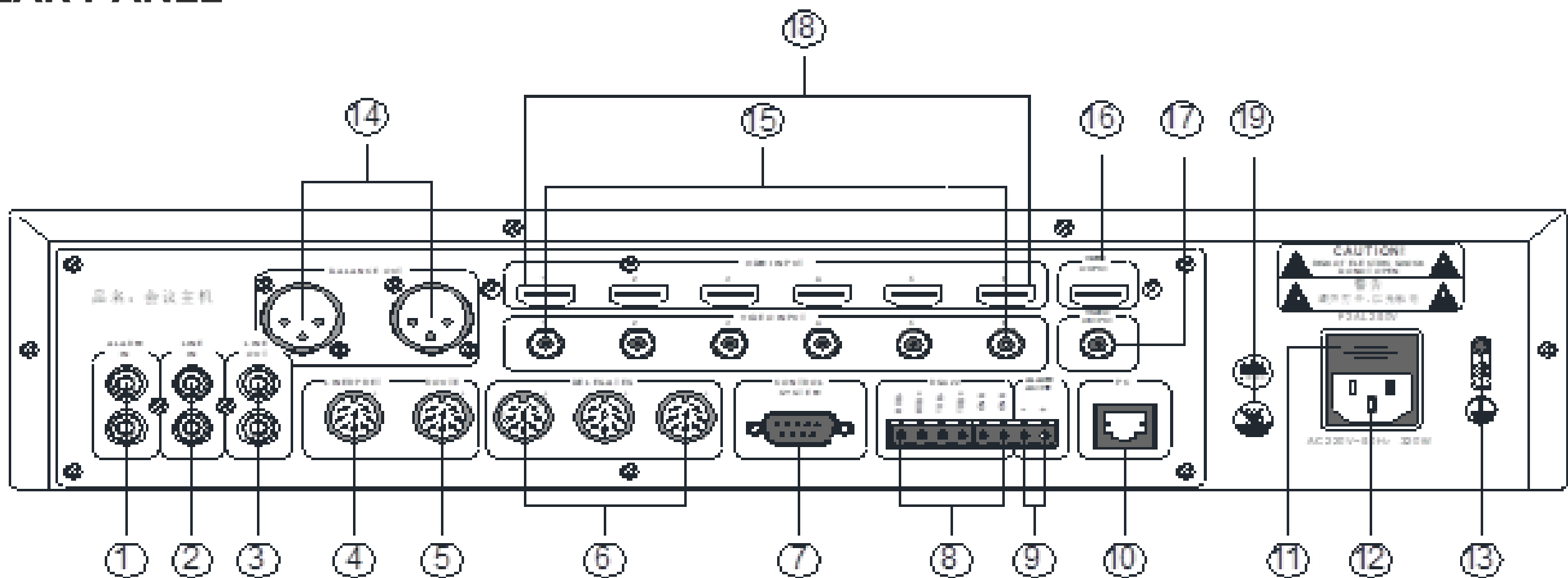
FOR CONNECTION OF USB FLASH DISKS DURING THE RECORDING PROCESS;
A MOUSE WITH USB PORT MAY BE CONNECTED TO OPERATE THE SYSTEM.

4. LCD TOUCH SCREEN DISPLAY

FOR DISPLAY OF FUNCTION ICONS AND MENUS IN THE OPERATION PROCESS; TOUCH SCREEN IS USED IN CONFIGURATION.

5. SCREW HOLES FOR INSTALLATION IN CABINETS

REAR PANEL



FUNCTIONS ON REAR PANEL OF THE HOST:

1. WARNING AUDIO SIGNAL INPUT PORT (ALARM IN)

-IT IS USED FOR CONNECTION TO WARNING SIGNALS FROM THE FIRE CONTROL CENTER AND IS INTERLOCKED TO THE WARNING TRIGGERING SIGNAL AS MENTIONED IN ⑨.

2. LINE AUDIO SIGNAL INPUT PORT (LINE IN)

-IT IS FOR CONNECTION OF SOUND SOURCE OR SOUND CONSOLE EQUIPMENT TO PROVIDE LINE AUDIO SIGNAL TO THIS SYSTEM.

3. MIX OUTPUT OF AUDIO SIGNAL (LINE OUT)

-IT IS FOR CONNECTION OF AMPLIFIERS, AND THE OUTPUT SIGNAL INCLUDES LINE AUDIO SIGNALS, WARNING SIGNALS AND MICROPHONE SIGNALS.

4. PORT FOR CONNECTION OF THE INTERPRETER HOST TO THE CONTROL HOST (INTERPRET)

5. EXTENDED PORT (ROUTE)

-IT IS USED TO CONNECT THE CONFERENCE HOST AND EXTENDED HOSTS AND TO TRANSMIT AUDIO SIGNALS AND COMMUNICATION SIGNALS.

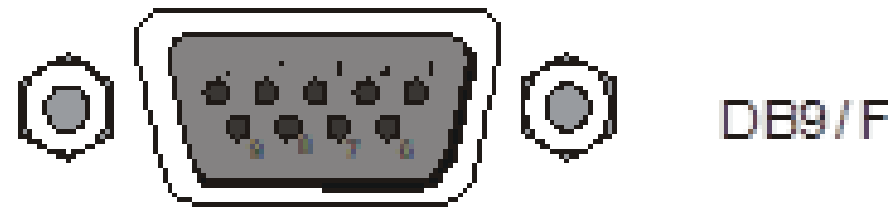
6. CONFERENCE UNIT OUTPUT PORT (3-WAY OUTPUT, DELEGATES1-3)

-THE THREE PORTS ALLOW CONNECTION OF UP TO 128 CONFERENCE UNITS.

7. PORT FOR CENTRAL CONTROL SYSTEM (CONTROL SYSTEM)

- IT IS USED TO CONNECT THE SYSTEM TO A SMART CENTRAL CONTROL SYSTEM, TO REALIZE CENTRALIZED CONTROL OVER THE CONFERENCE SYSTEM BY FAR INFRARED.

-RS-232 SERIAL COMMUNICATION PORT IS 9-PIN FEMALE (DB9/F), AND THE DEFINITION FOR THE PORT IS AS SHOWN IN THE FIGURE BELOW:



Pin	1	2	3	4
Description	N/U	TXD	RXD	N/U
5	6	7	8	9
GND	N/U	N/U	N/U	N/U

8.CAMERA CONTROL PORT (RS422)

-IT IS USED FOR CONNECTION OF CONTROL SIGNALS OF 6 CAMERAS, WHICH ARE CONNECTED IN SERIAL MANNER.

9.FIRE ALARM INTERLOCKING AND ACTIVATION PORT (ALARM ACTIVE)

-THE SYSTEM ADOPTS +5V VOLTAGE TO TRIGGER THE ALARM INTERLOCKING, IN WHICH "ALARM" WILL BE DISPLAYED ON THE SCREEN OF ALL CONFERENCE UNITS AND THE MICROPHONES OF ALL CONFERENCE UNITS WILL BE DEACTIVATED.

-WHEN THE +5V VOLTAGE ON THIS PORT IS OFF, THE SYSTEM WILL AUTOMATICALLY RETURN TO THE WORKING STATUS BEFORE SUCH ALARM.

10.ETHERNET PORT (PC)

-THE CONFERENCE CAN REALIZE REMOTE CONTROL VIA TCP/IP NETWORK;

-WHEN THE SYSTEM IS CONNECTED TO A WIFI NETWORK, IT ALLOWS WIRELESS CONFERENCE CONTROL VIA A TABLET PC.

-FUSE IN POWER SUPPLY OF THE SYSTEM

-F3.15A/250V FUSE SOCKET;

-IF THE FUSE IS BLOWN, PLEASE REPLACE IT WITH A FUSE OF THE SAME SPECIFICATION;

-IF THE FUSE IS BLOWN, IT INDICATES EQUIPMENT FAULT, SO PLEASE REPLACE THE FUSE AFTER SUCH FAULT HAS BEEN ELIMINATED;

- SEE DESCRIPTION ON 2.8 FUSE INSTALLATION ON THE HOST FOR PROCEDURES OF REPLACING THE FUSE.

12.POWER INPUT

-AC220V/50HZ/320W POWER INPUT.

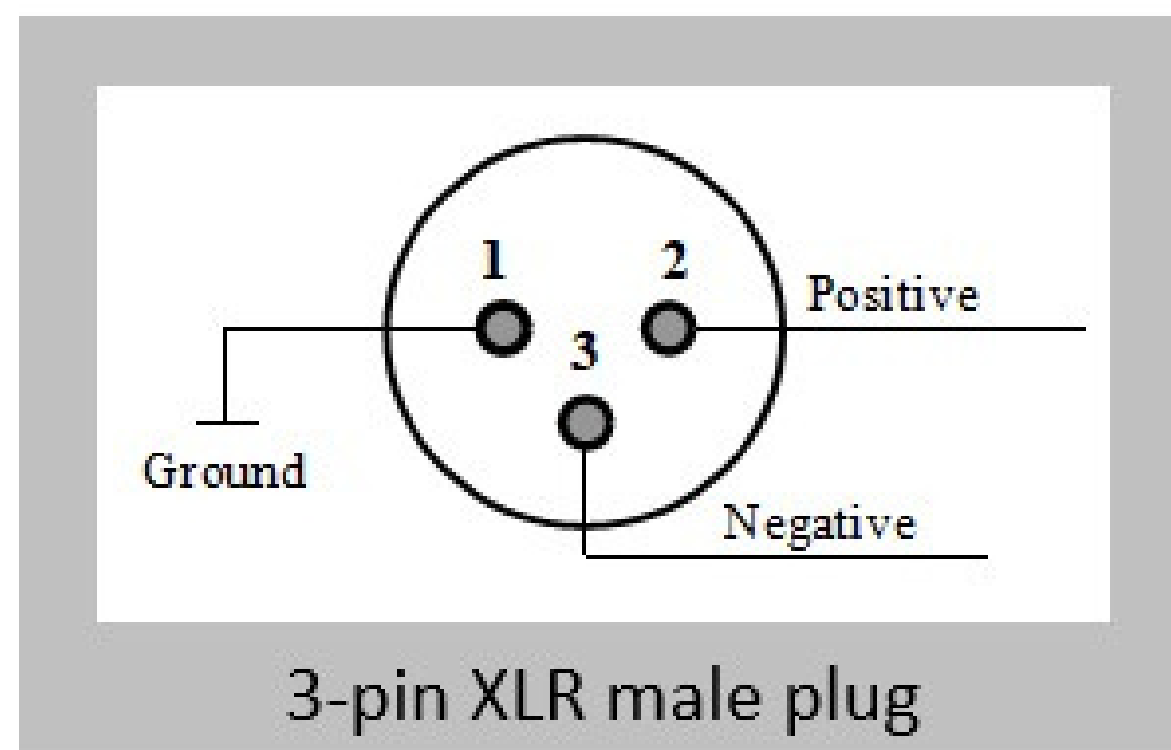
13.GROUNDING CONNECTION

-IT IS USED TO CONNECT THE CONFERENCE HOST TO THE GROUND, SO AS TO AVOID ELECTRIC SHOCK OR EQUIPMENT DAMAGES CAUSED BY ELECTRIC LEAKAGE.

14.MIX OUTPUT OF AUDIO SIGNALS (CANNON BALANCE OUTPUT SOCKET)

-THIS PORT IS CONNECTED IN PARALLEL TO OUTPUT PORT AS MENTIONED IN ③ (LINE OUT),

AND IS A BALANCE OUTPUT SOCKET. THE SIGNALS ON THE THREE PINS ARE DEFINED AS BELOW:



15.6 COMMON CAMERAS CONNECTION PORTS

- EACH PORT ALLOWS CONNECTION TO ONE CAMERA;
- ALL 6 CAMERAS CONNECTED TO THIS SYSTEM MUST BE OF THE SAME BRAND;
- CAMERAS ARE CONNECTED BY COAXIAL CABLE.

16.HD VIDEO OUTPUT INTERFACE

- CONNECT THE PROJECTOR AND OTHER VIDEO EQUIPMENT, INPUT THE CAMERA CONTENT TO THE BIG SCREEN

17.COMMON VIDEO OUTPUT PORT

- THE PORT IS USED FOR CONNECTION TO PROJECTORS OR OTHER VIDEO EQUIPMENT, WITH WHICH THE CONTENT CAPTURED BY CAMERAS WILL BE OUTPUT TO A LARGE SCREEN.

18.6 HD CAMERA CONNECTION PORT

- EACH PORT ALLOWS CONNECTION TO ONE CAMERA;
- ALL 6 CAMERAS CONNECTED TO THIS SYSTEM MUST BE OF THE SAME BRAND;
- CAMERAS ARE CONNECTED BY COAXIAL CABLE.

19.THESE MARKS INDICATE THAT THIS MACHINE CAN BE SAFELY WORKING IN AREAS UNDER ALTITUDE OF 2000 METERS AND NO TROPICAL REGIONS.