

## LD196

### 40W COAXIAL CEILING SPEAKER WITH POWER TAP



#### PRODUCT DESCRIPTION:

THIS CEILING SPEAKER IS DESIGNED FOR VERSATILE PUBLIC ADDRESS APPLICATIONS, OFFERING COMPATIBILITY WITH BOTH LOW-IMPEDANCE ( $8\Omega$ ) AND HIGH-VOLTAGE (70V/100V) AUDIO SYSTEMS. IT FEATURES BUILT-IN SPEAKER DRIVERS — ONE 6.5" WOOFER AND ONE 1" TWEETER — DELIVERING A WIDE FREQUENCY RESPONSE OF 50HZ TO 20KHZ FOR CLEAR AND BALANCED SOUND REPRODUCTION.

CRAFTED FROM HIGH-QUALITY ABS MATERIAL, THE SPEAKER OFFERS LONG-TERM DURABILITY AND RESISTANCE TO DEFORMATION AND COLOR FADING, ENSURING RELIABLE PERFORMANCE AND A LASTING APPEARANCE OVER TIME.

#### FEATURES:

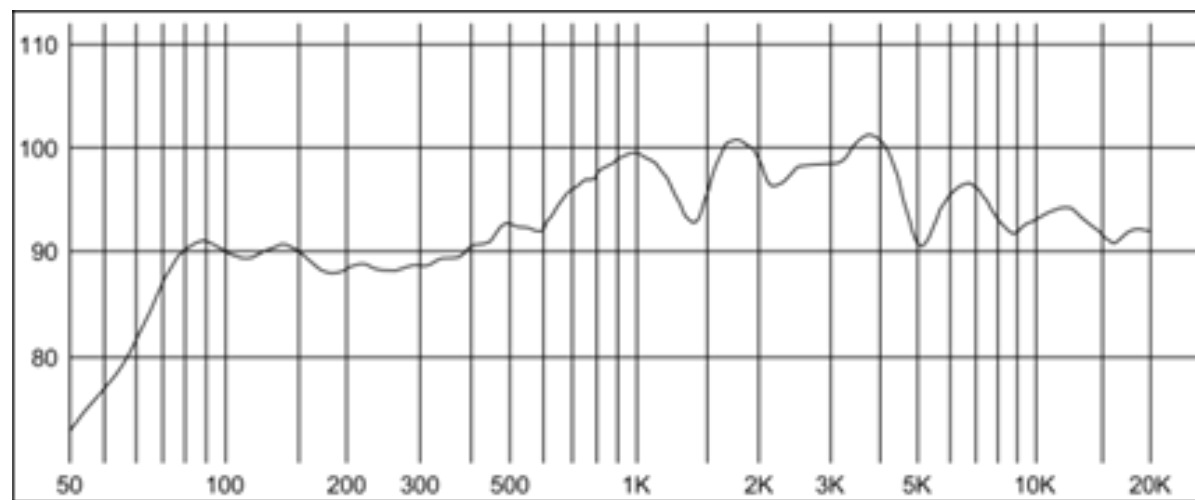
- WORKING VOLTAGE 70/100V OR 4-16 $\Omega$ , RATED POWER 40W.
- MAX. SPL: 107 $\pm$ 2DB, EFFECTIVE FREQUENCY RANGE: 50HZ-20KHZ.
- WITH COAXIAL STRUCTURE FOR TWO UNITS, WITH CLEAR SOUND AND HIGH SENSITIVITY (91 $\pm$ 2DB).
- 4.2KG IN WEIGHT, HIGH-QUALITY ENGINEERING PLASTIC INJECTION MODELING, DURABLE, NO DEFORMATION, NO FADING.

## SPECIFICATIONS:

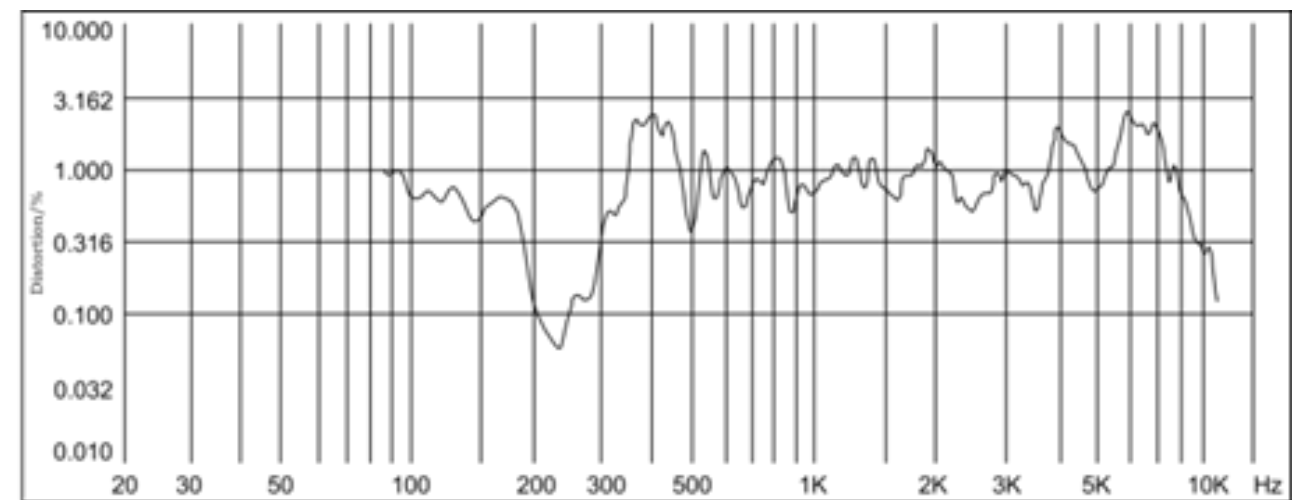
Model		LD196
Rated Power (RMS)		40W
Power Adjustment	70V	6W/10W/20W
	100V	10W/20W/40W
	8Ω	40W
Sensitivity (1m, 1W)		91±2dB
MAX. SPL. (1m)		107±2dB
Frequency Response		50Hz-20kHz
Weight		4.2kg
Cutout Size		Ø200 mm
Dimensions (H x W x L)		243 x Ø232mm

## PRODUCT INFORMATION:

**FREQUENCY RESPONSE**  
(DB SPL, 1W, 1M)



**DISTORTION**  
(THD < 1.5% 1W, 1M, 100HZ-10KHZ)



**REMOVE MESH COVER**

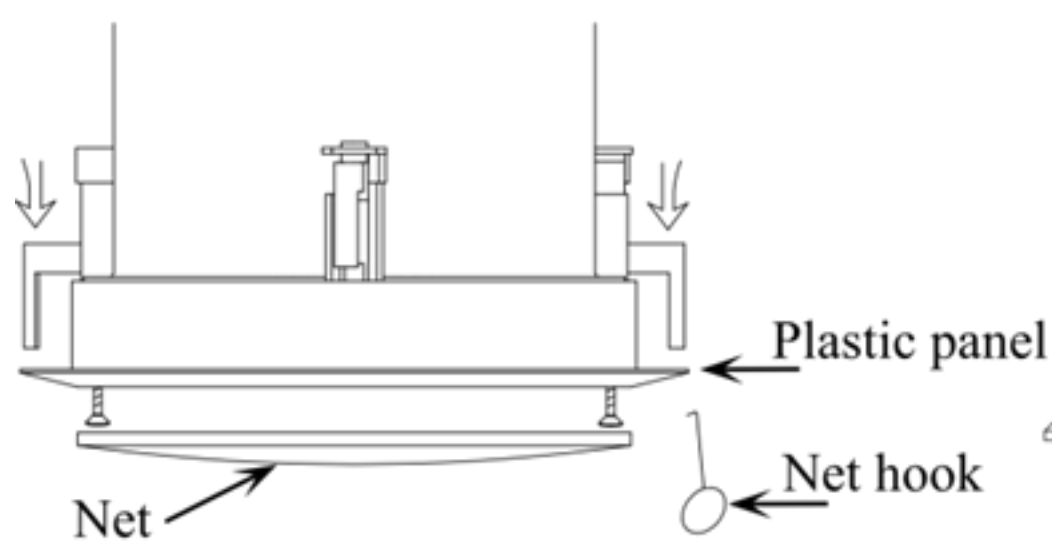


Figure ①

**INSTALLATION HOLE**

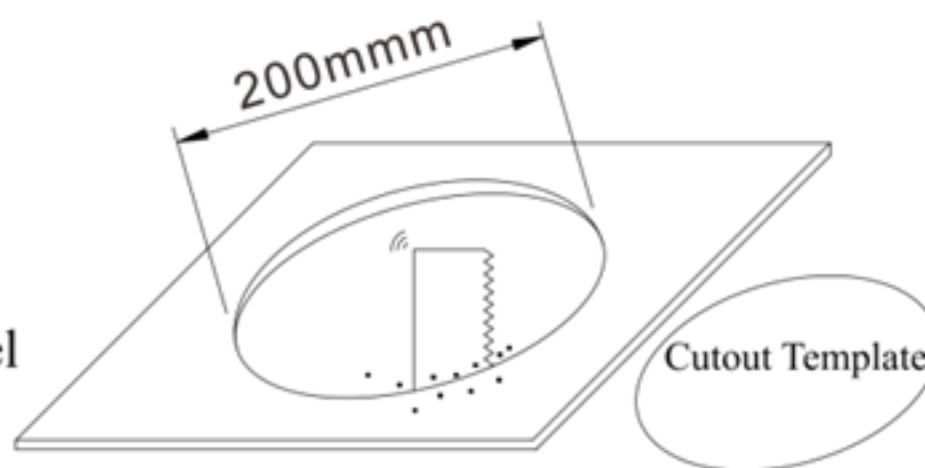


Figure ②

**PRODUCT DIMENSIONS**

